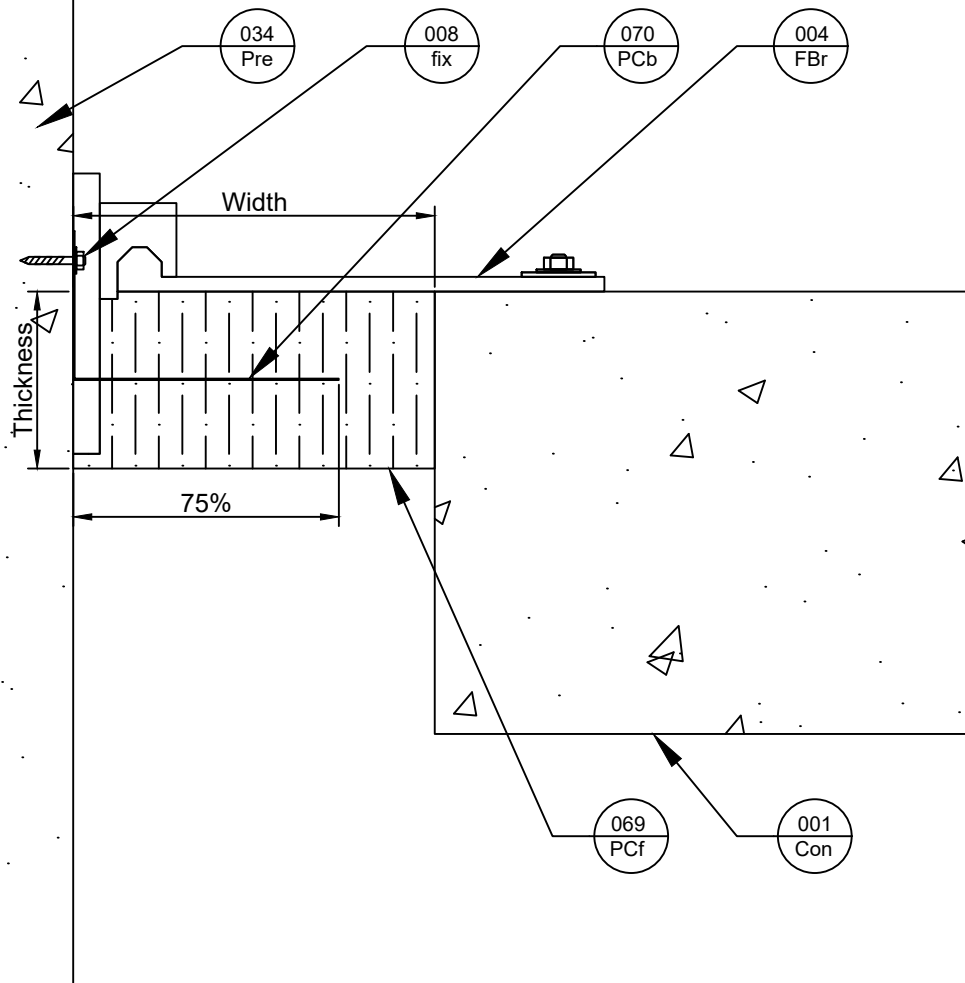
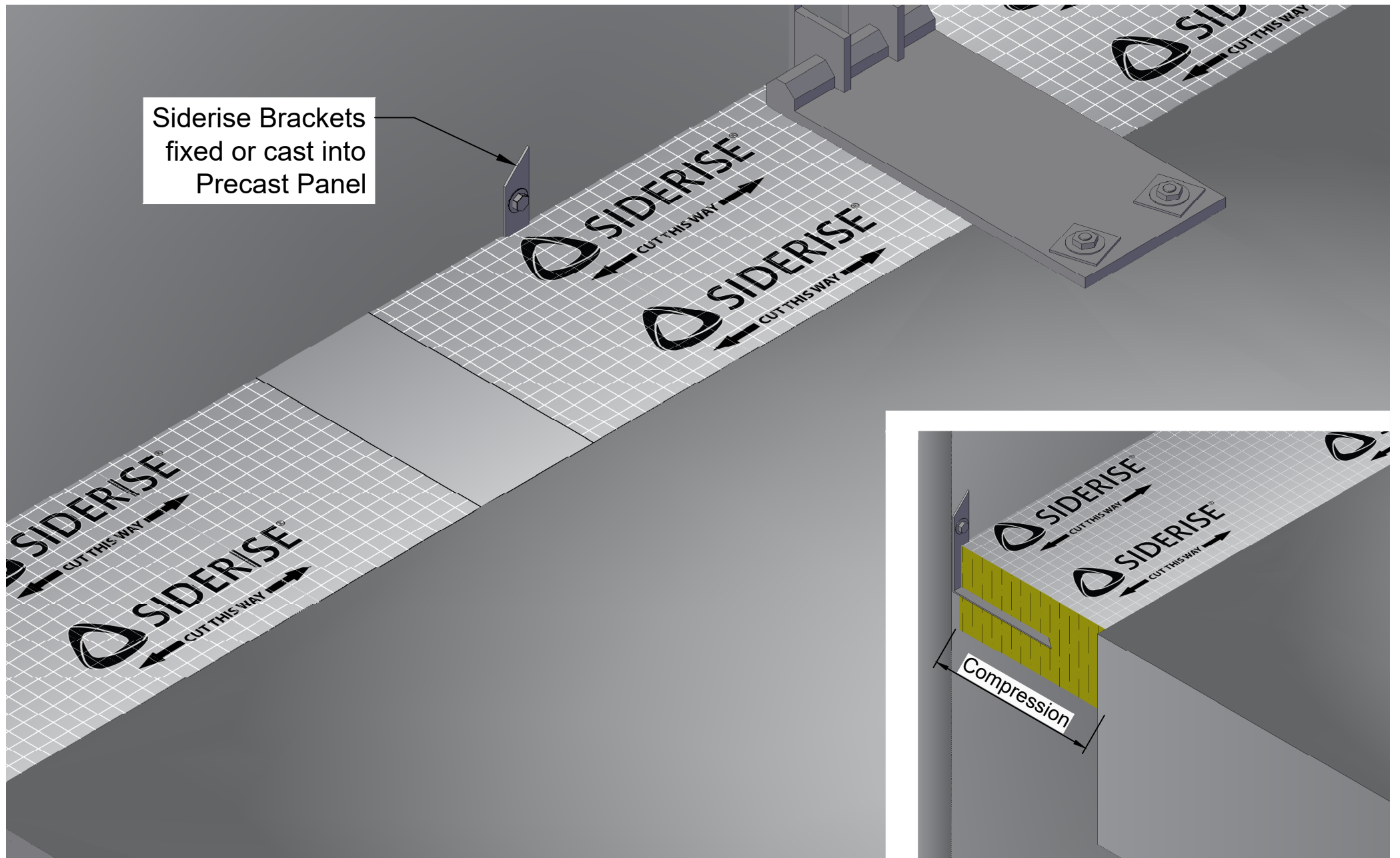
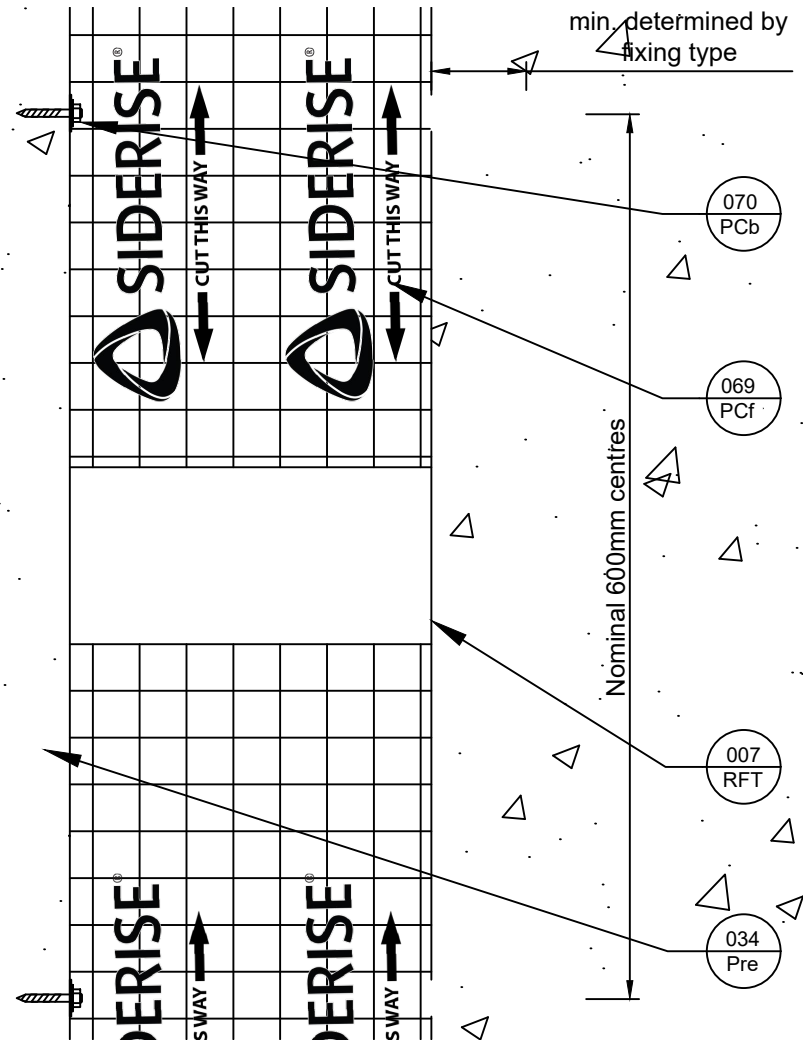


Side View



Plan View



Revisions			
Rev.	Date	By	Description
A	22-08-19	BJC	First Issue
B	30-11-23	BC	Logo Update
C	13-04-26	CCM	Ref. Update



Title  
PC top of slab facade bracket - Precast Panel, Reverse fix  
**Siderise Standard Detail**

Sheet  
1/1

**SSD1944**  
Date released  
13/04/2026

Rev.  
**C**