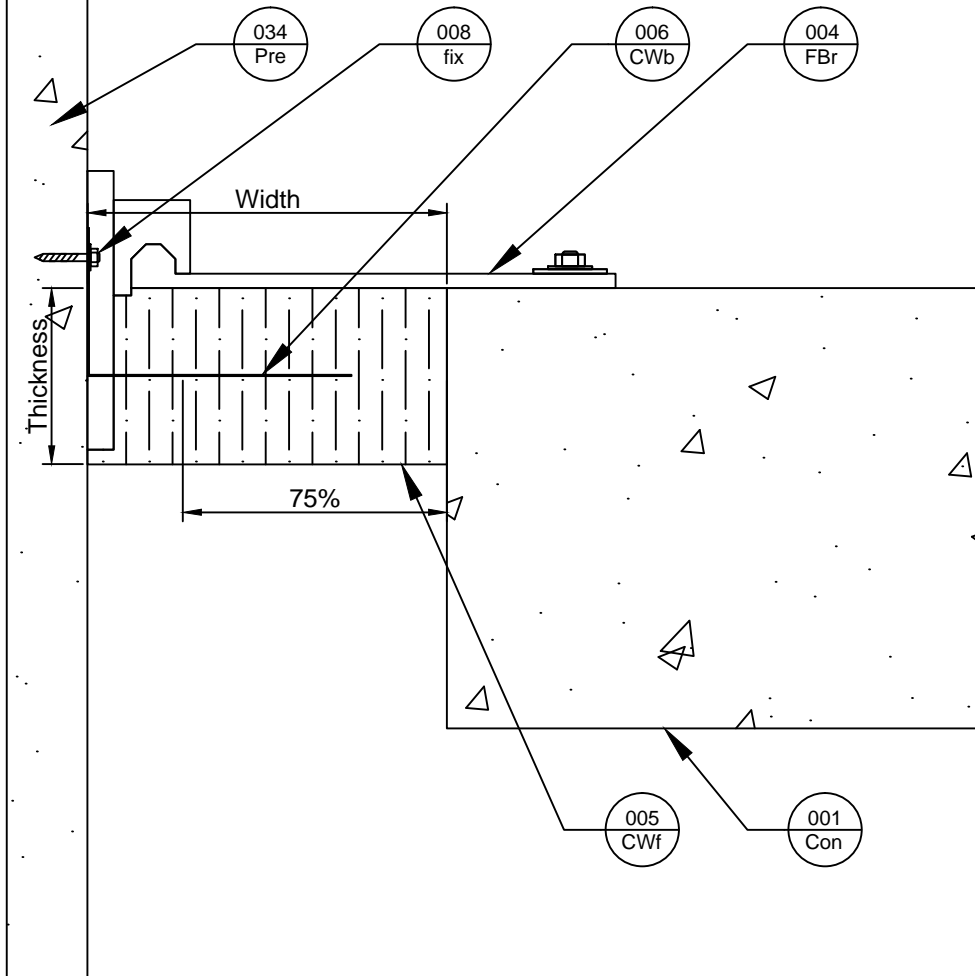
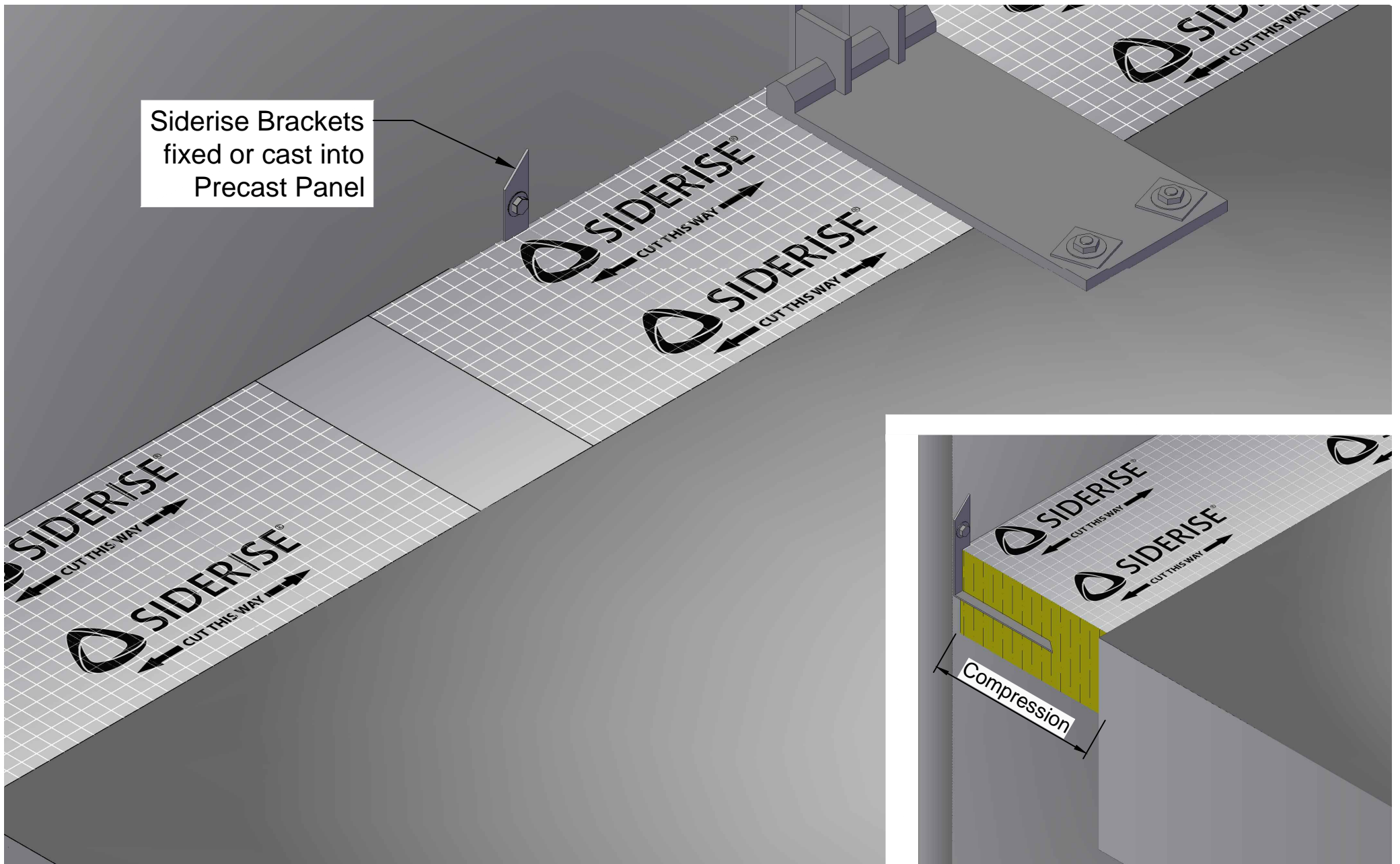
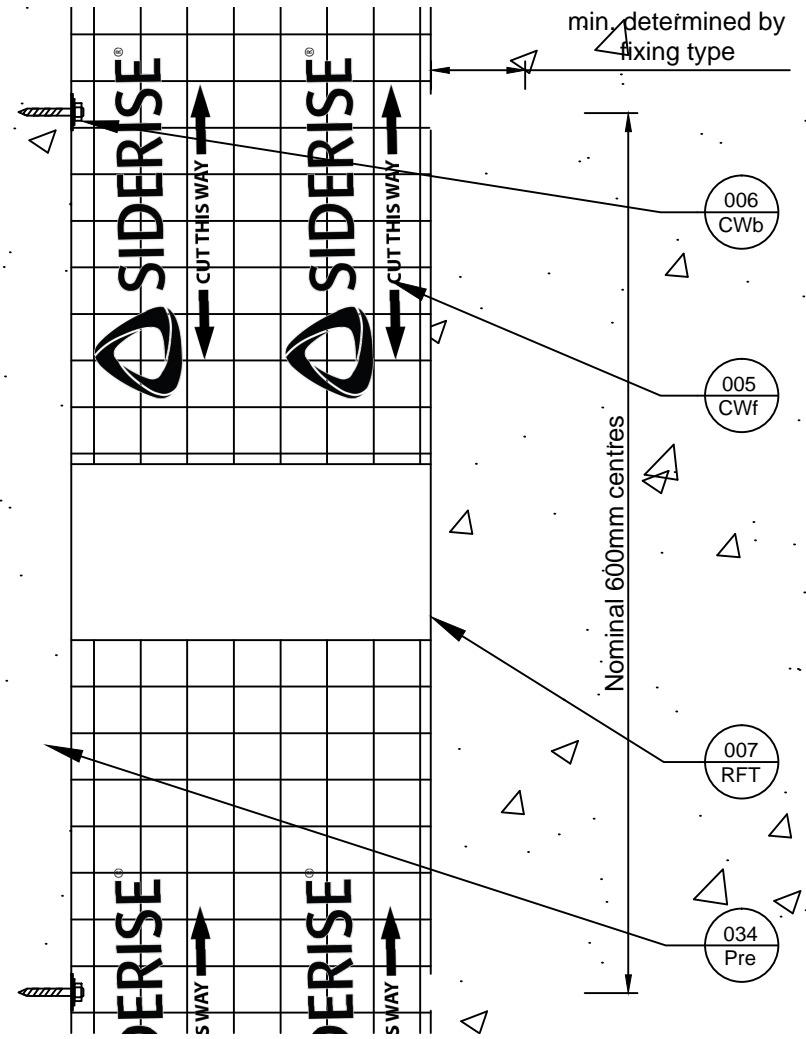


Side View



Plan View



Revisions			
Rev.	Date	By	Description
A	22-08-19	BJC	First Issue



Title  
CW top of slab facade bracket - Precast Panel, Reverse fix  
**Siderise Standard Detail**

Sheet  
1/1

**SSD1944**  
Date released  
22/08/2019

Rev.  
A