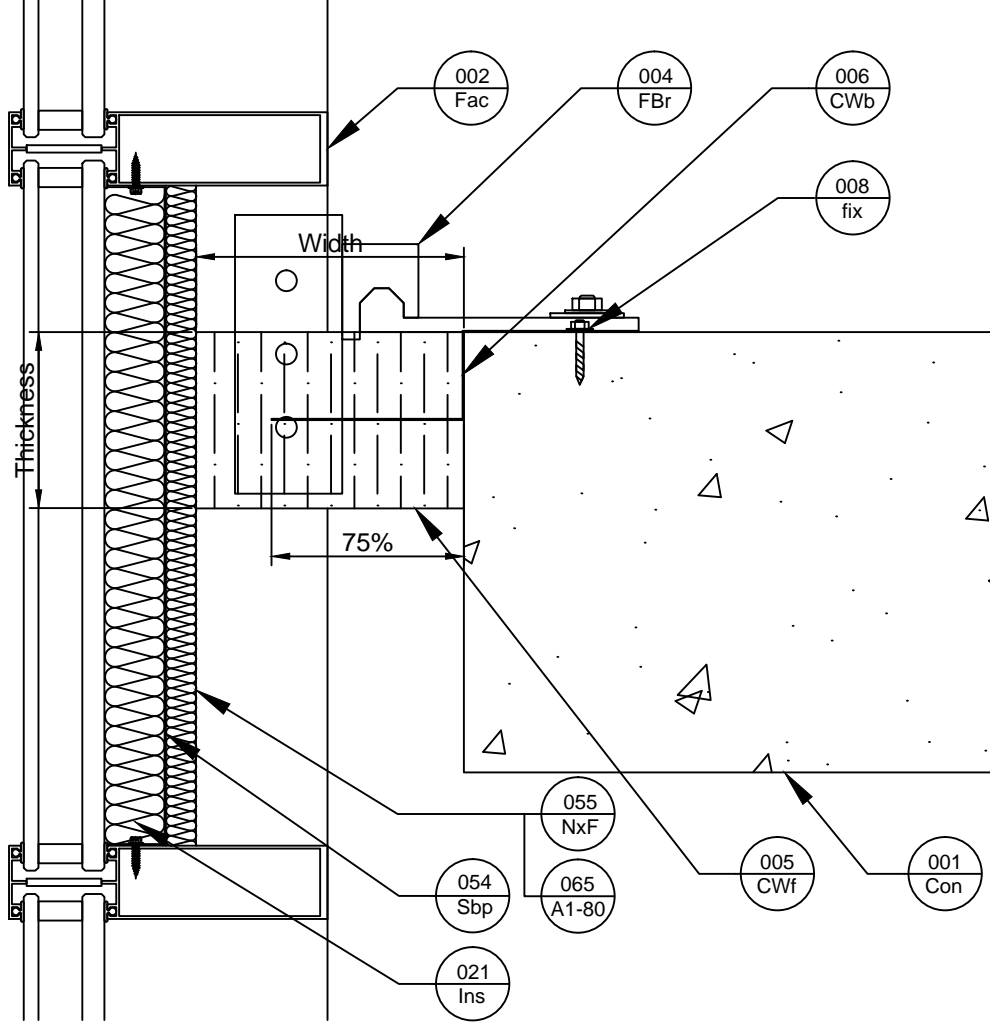
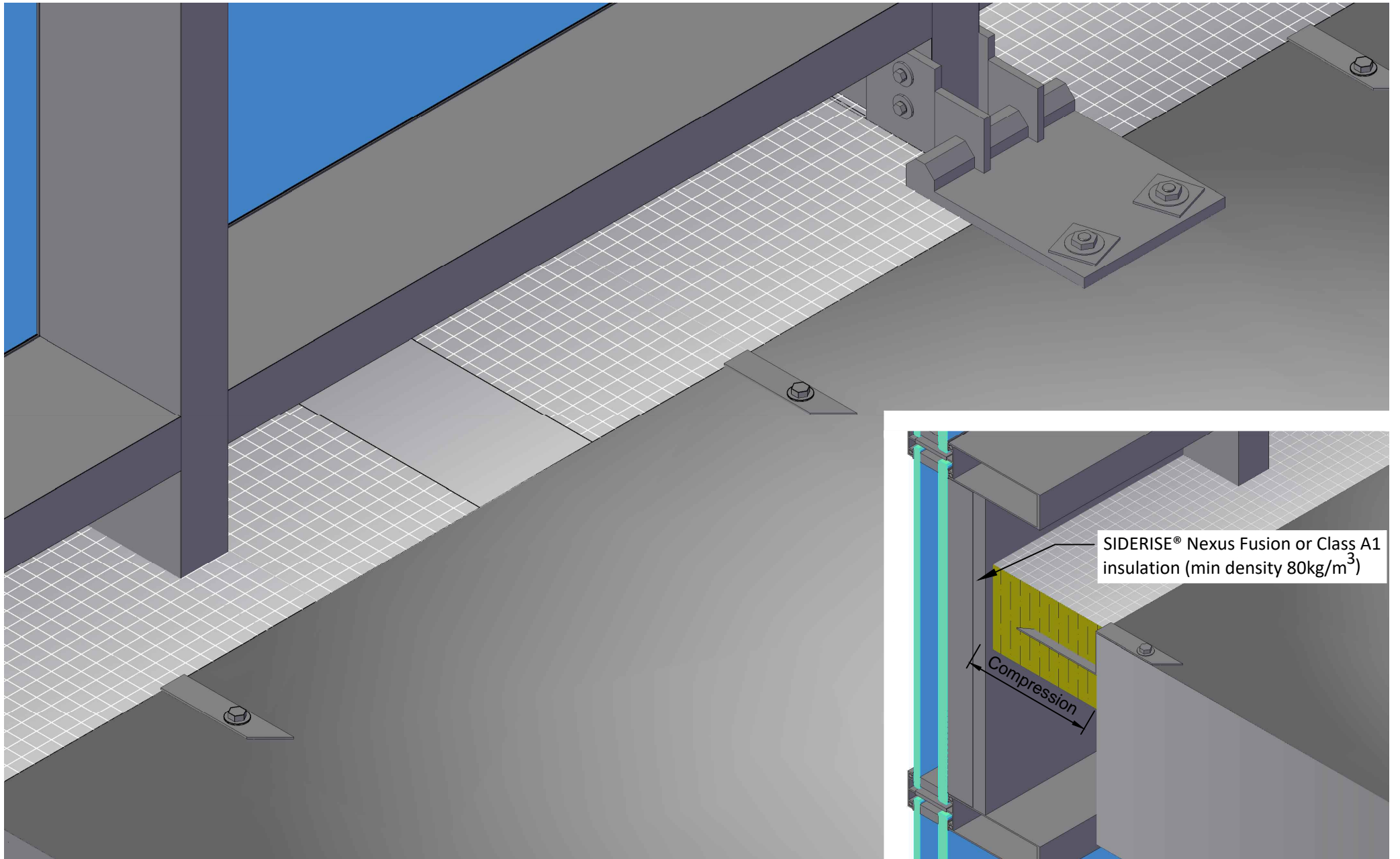
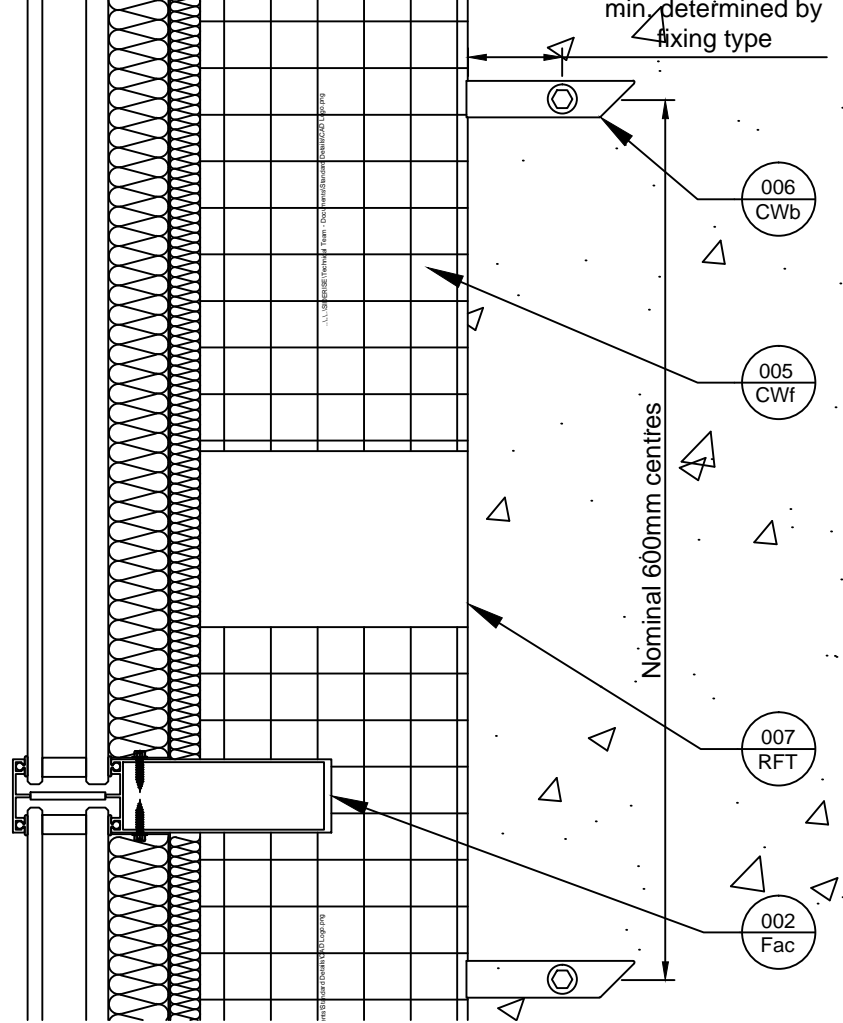


Side View



Plan View



Revisions			
Rev.	Date	By	Description
A	09-12-18	BJC	First Issue
C	18-01-23	BC	Note amendments



Title
CW-FS horizontal top of slab, top of slab facade bracket
Siderise Standard Detail

Sheet
1/1

SSD1829
Date released
30/07/2020

Rev.
C