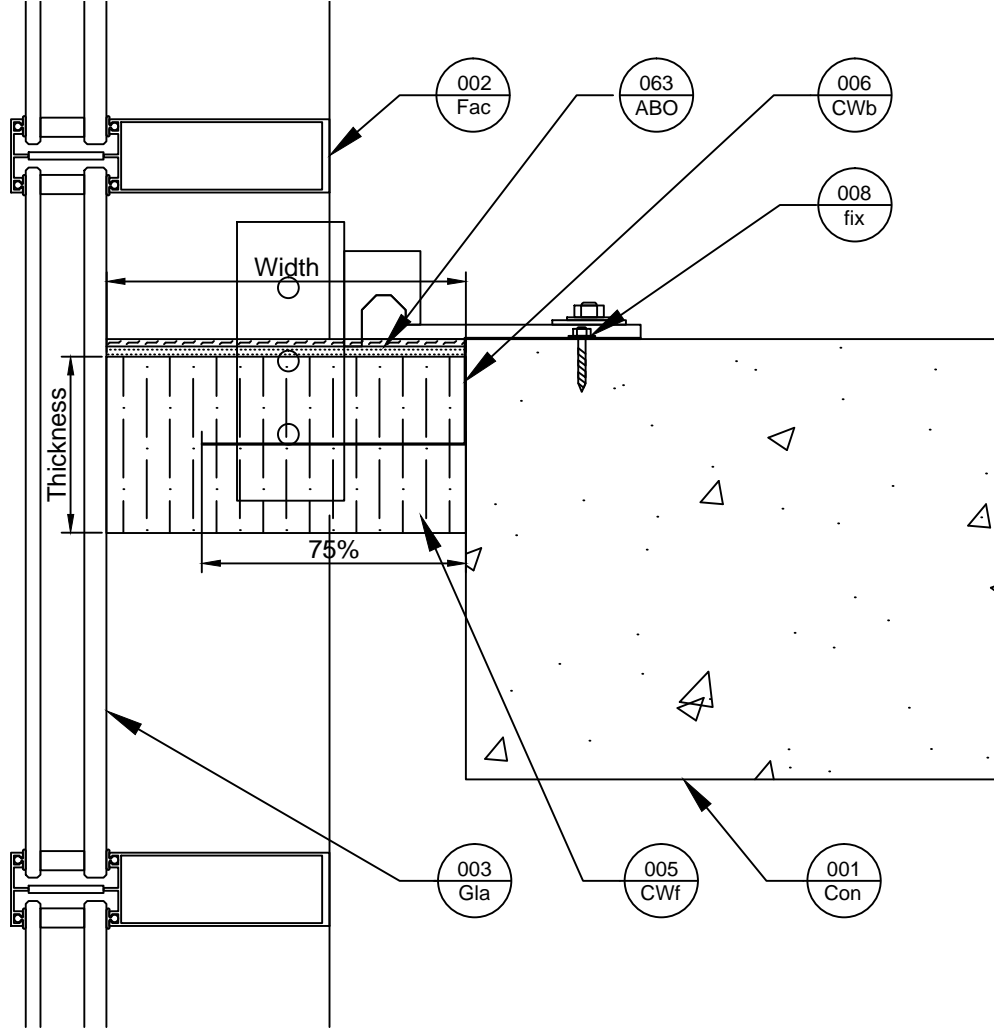
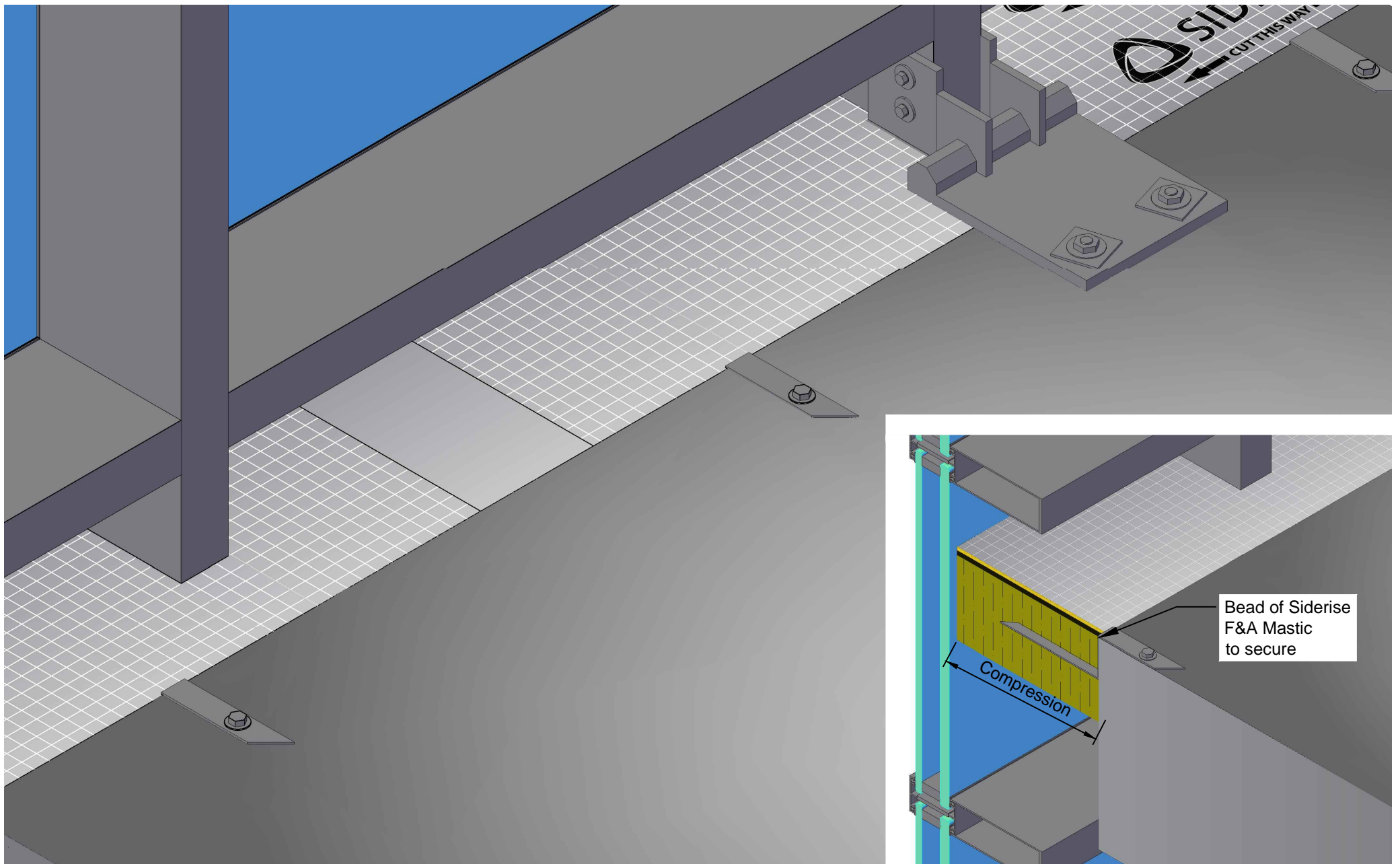
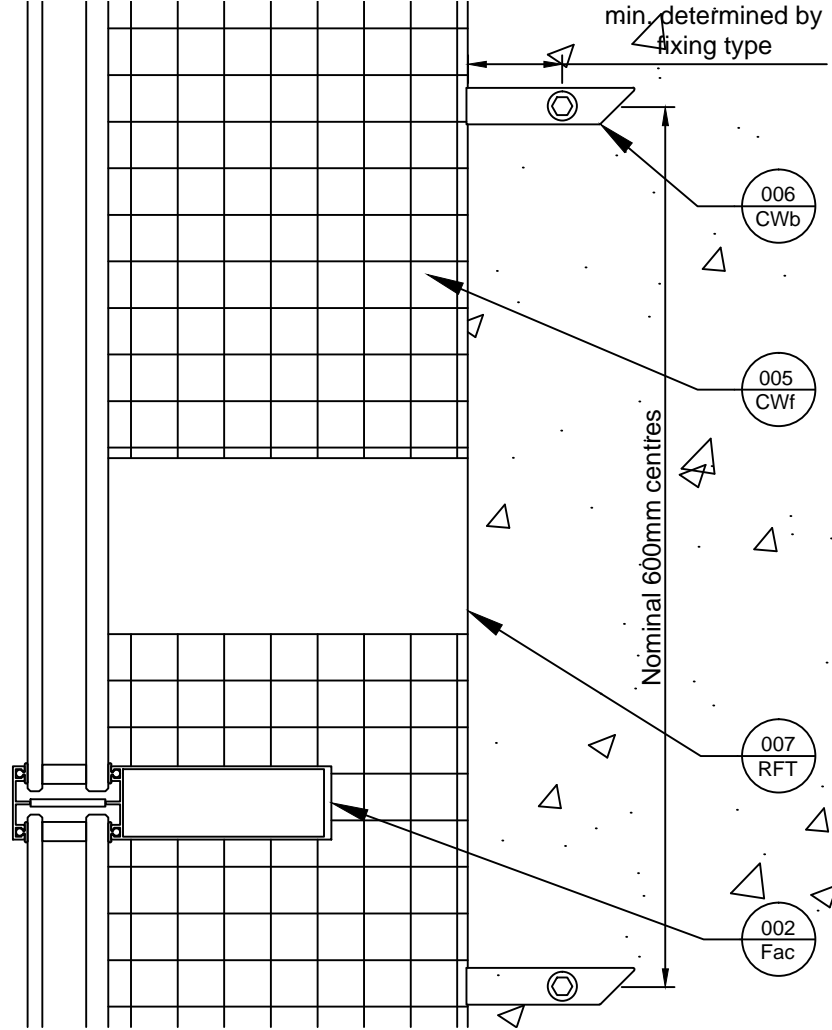


Side View



Plan View



Revisions		
Rev.	Date	Description
A	29-06-20	BJC First Issue



Title
CW-FS horizontal top of slab, with Siderise AB
Siderise Standard Detail

Sheet
1/1

SSD0826
Date released
29/06/2020

Rev.
A