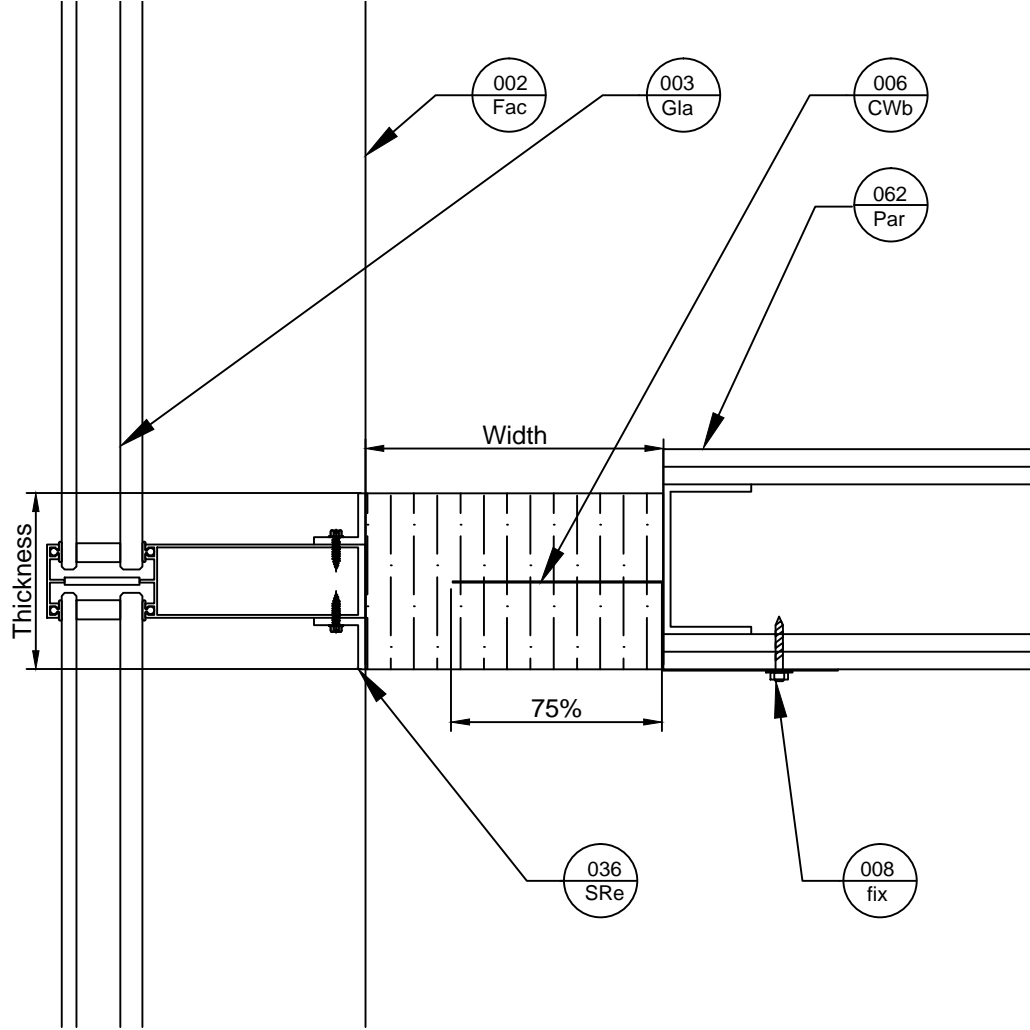
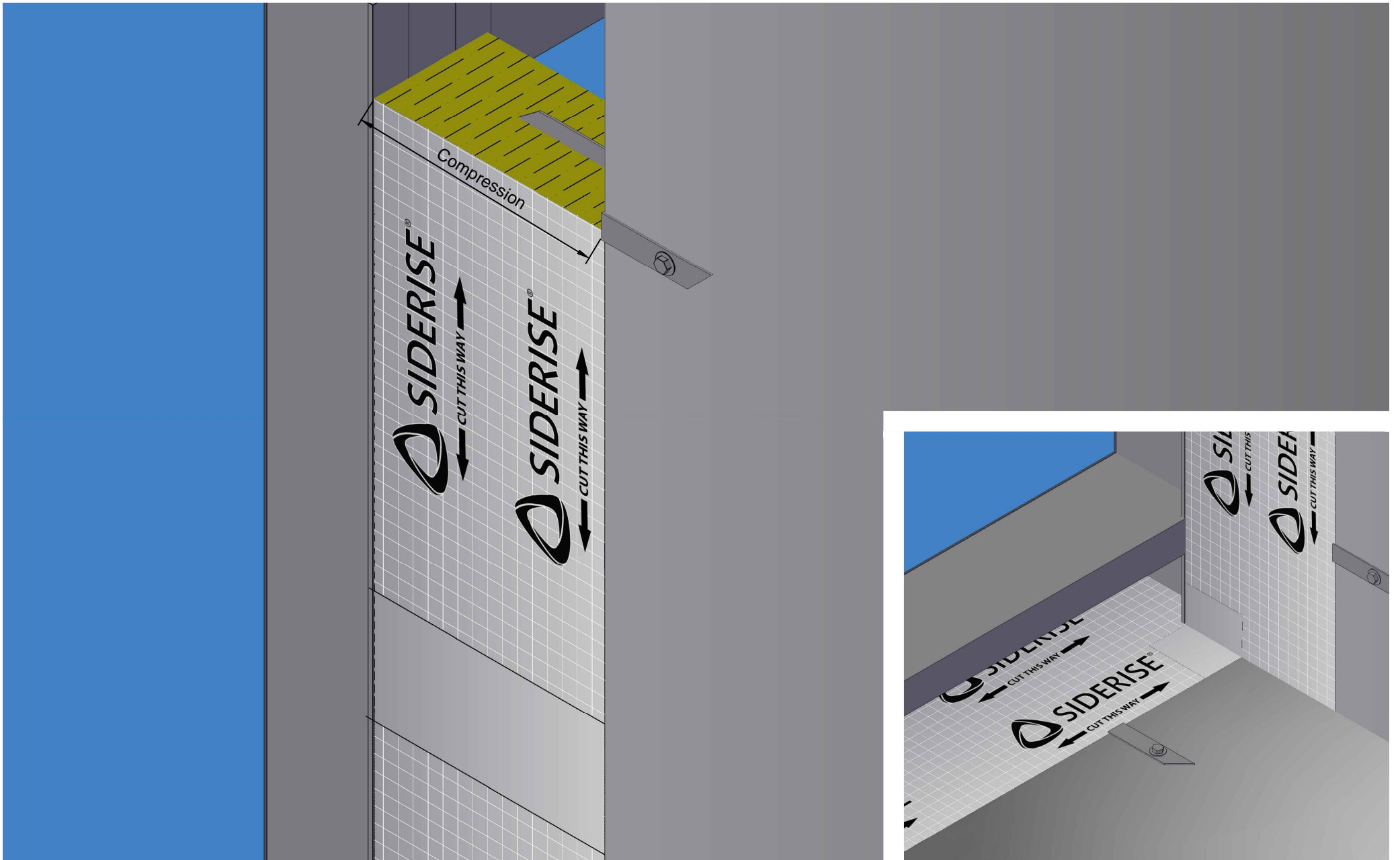
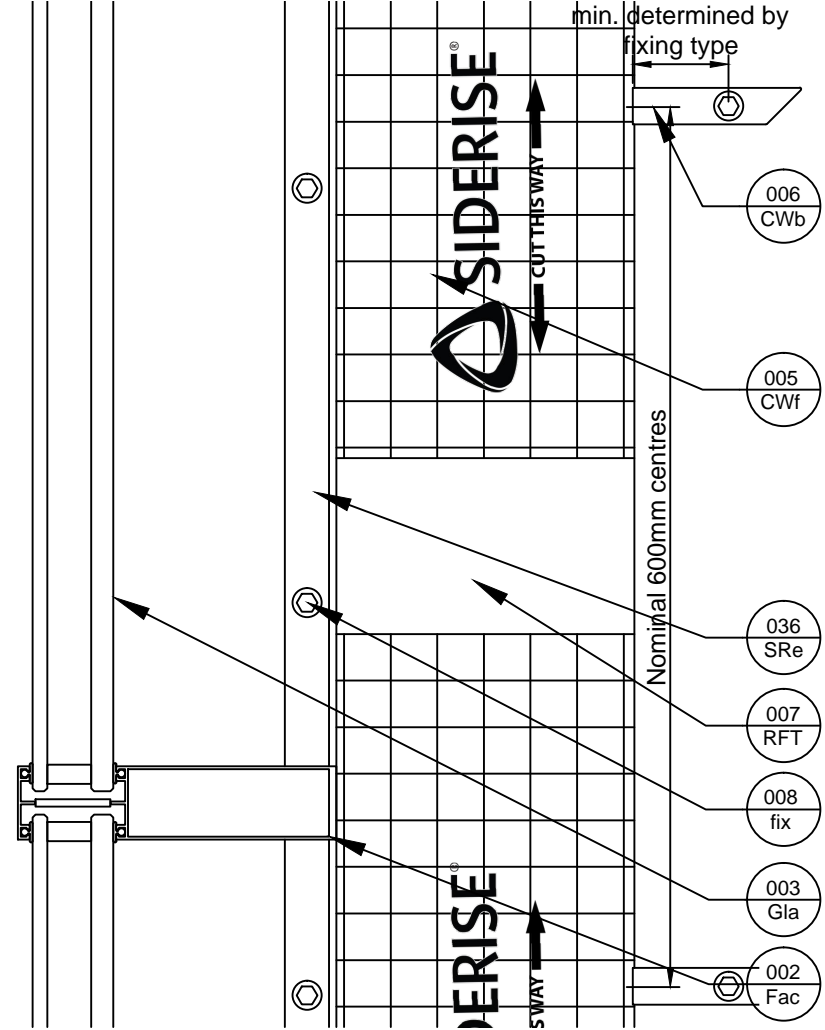


Plan View



Side View



Revisions		
Rev.	Date	Description
A	12-07-22	BJC First Issue



Title
CW-FS vertical from partition wall to single mullion
Siderise Standard Detail

Sheet 1/1
Date released 12/07/2022
Rev. A