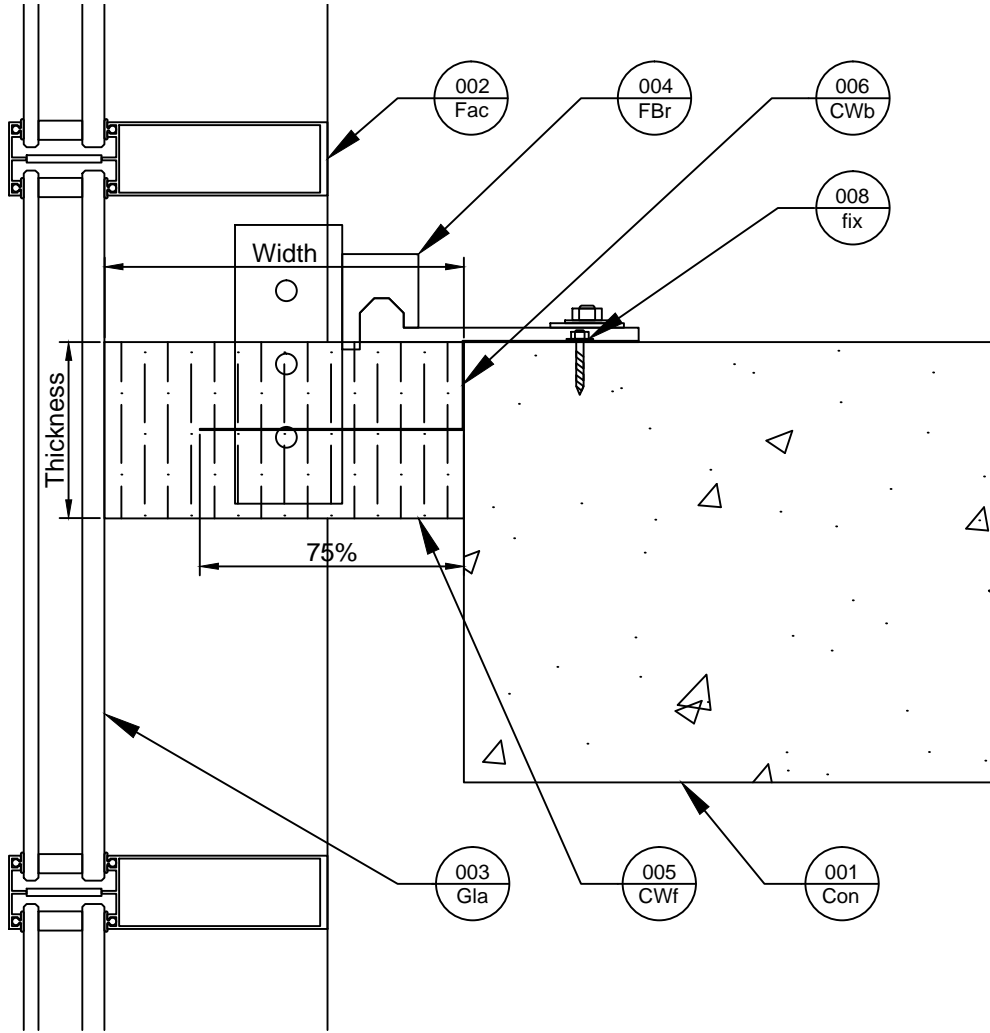
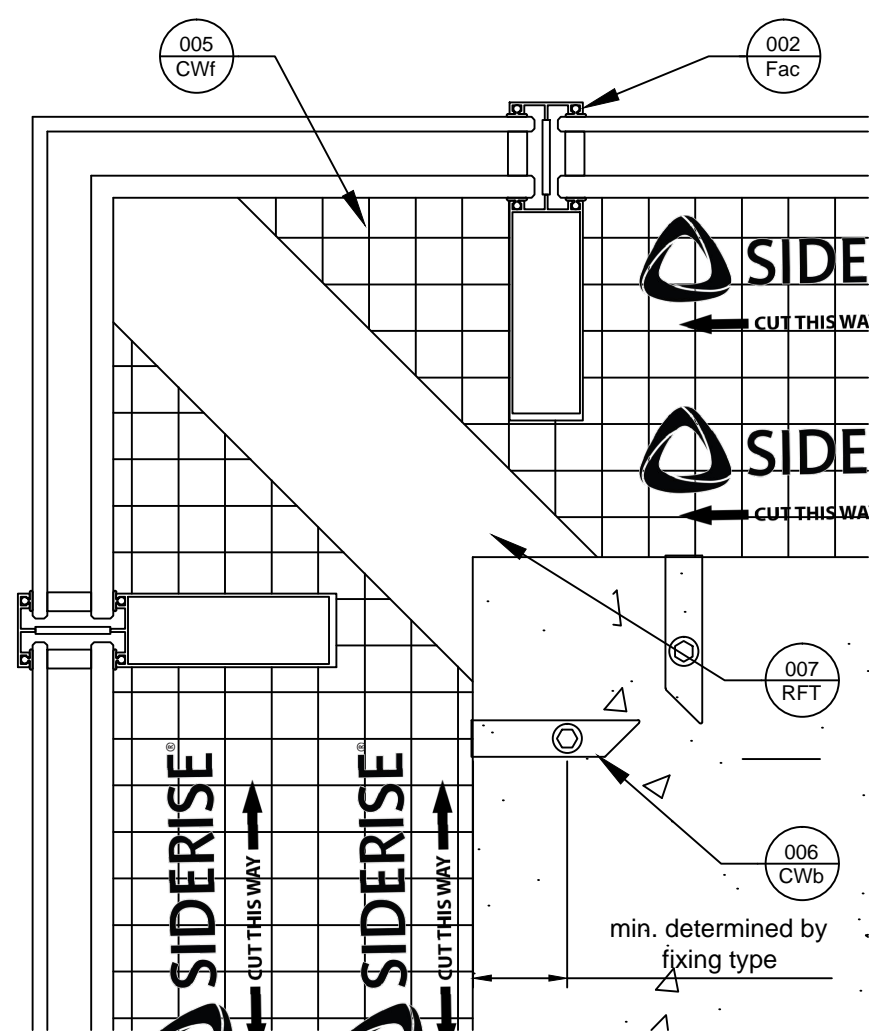


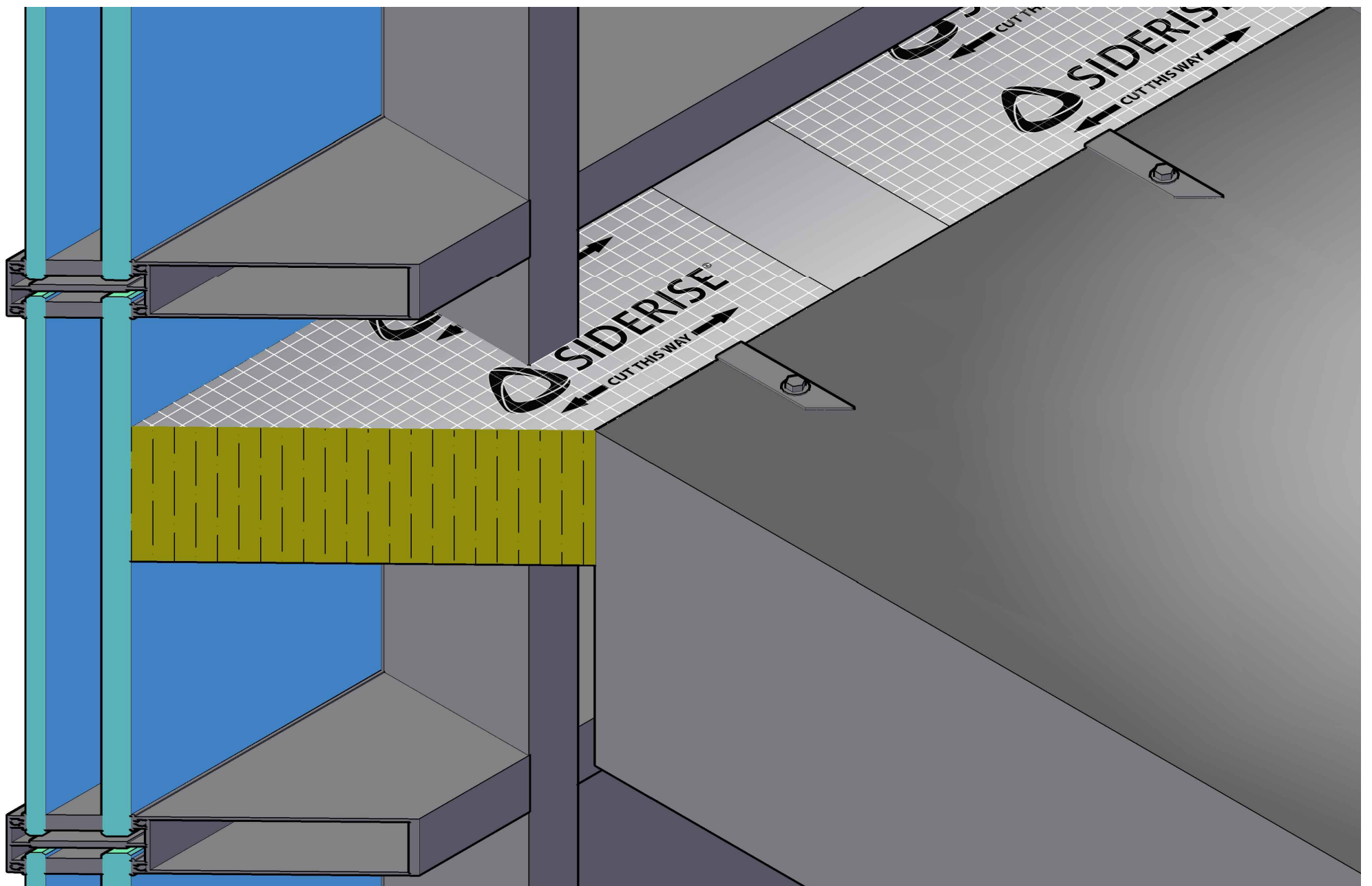
Side View



Plan View



Siderise Standard Detail
SSD0010



Revisions		
Rev.	Date	Description
A	09-12-18	BJC First Issue



Title
CW-FS horizontal top of slab, 90 degree corner
Siderise Standard Detail

Sheet
1/1

SSD0010
Date released
09/12/2018

Rev.
A