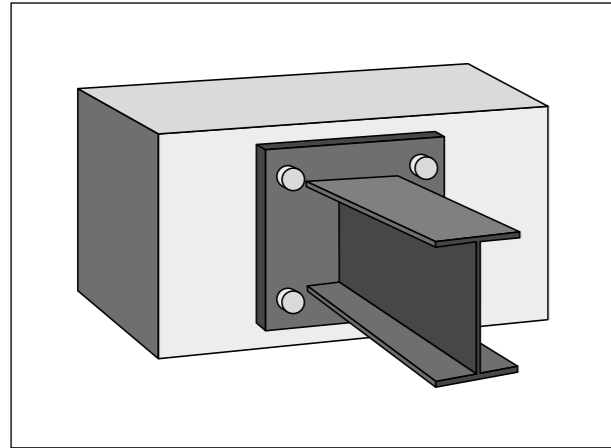
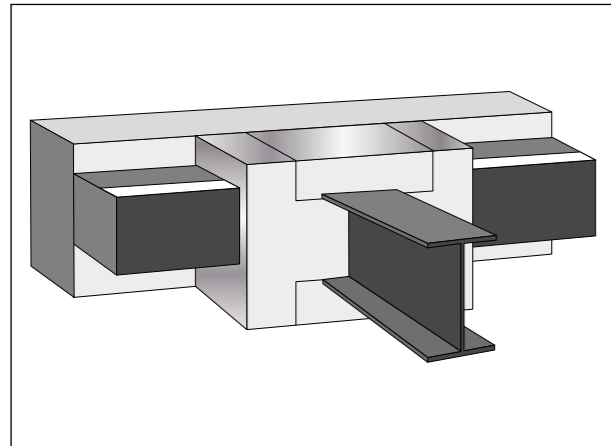


SIDERISE® BB-CB Balcony Bracket Cavity Barrier

SIDERISE BB-CB Balcony Bracket kit comprises of 4 pre-cut interlocking segments that encapsulate the Balcony Bracket connection.



SIDERISE BB-CB provides a rapid solution to a complex detail and allows continuity of performance when abutted either side by SIDERISE Cavity Barriers.

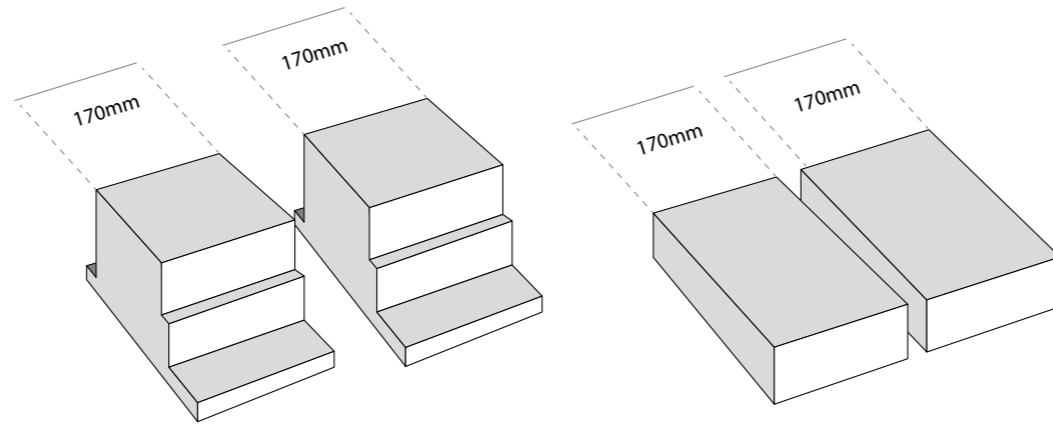


This is a generic guide and not project specific. You may have interfaces between Siderise cavity fire barriers and façade system components which require independent detailing, therefore please contact Siderise to arrange on-site training.

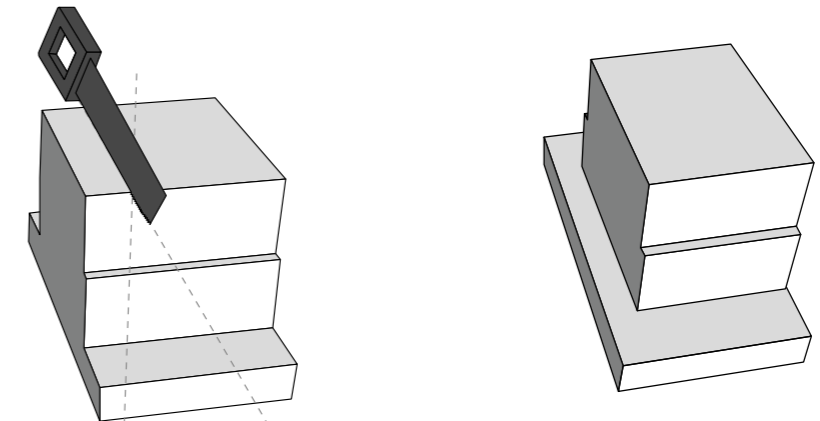
We reserve the right to amend installation recommendations without notice.

Siderise Group Forge Industrial Estate Maesteg Bridgend CF34 0AH UK.

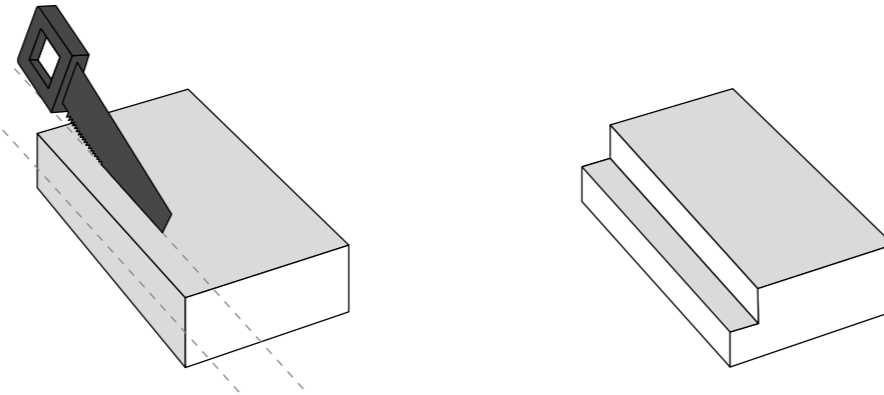
www.siderise.com



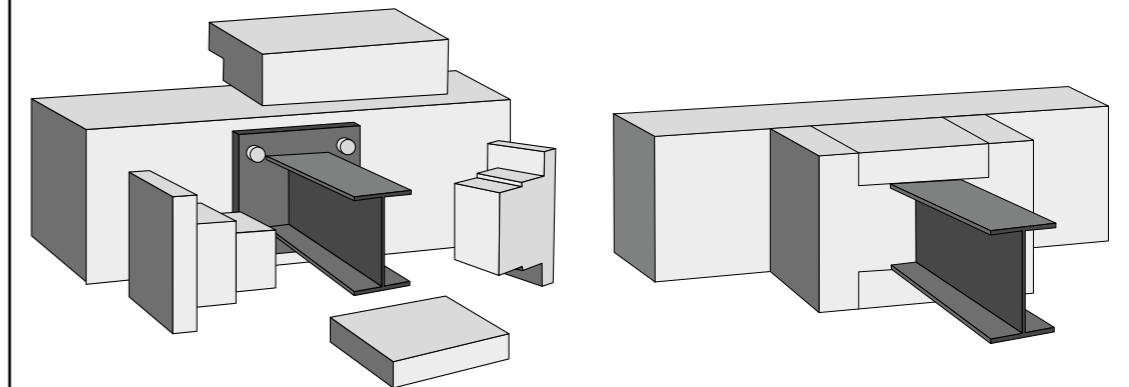
1 Cut all BB-CB sections to length. The length is the distance between the slab edge and the inner face of the outer leaf plus 10mm.
For example: gap width = 160mm, section length = 170mm



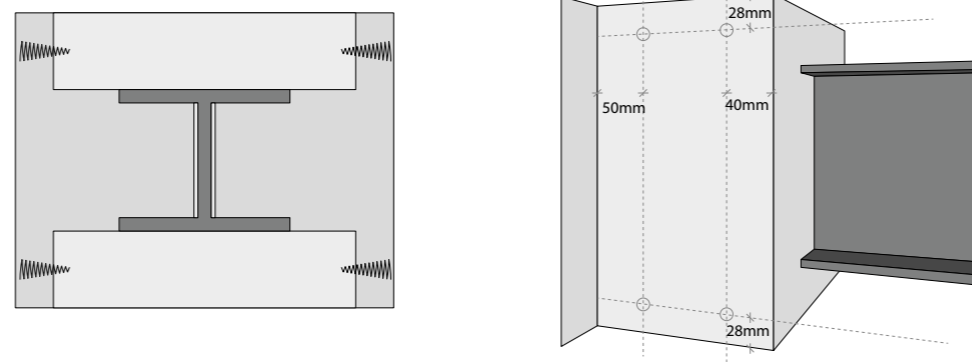
2 Trim sections to accommodate the fixing plate and bolt fixings.
T- Sections: Measure the fixing plate and its fixings to determine the allowance required. Make 2 cuts with a handsaw. Repeat for the 2nd T-section.



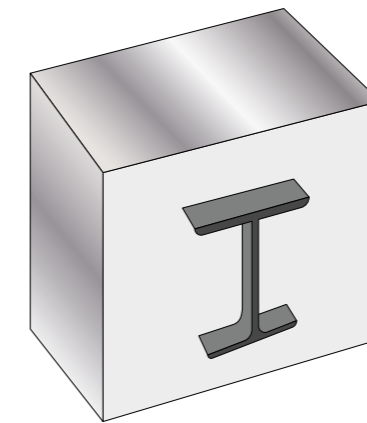
3 Trim sections to accommodate the fixing plate and bolt fixings
Lateral Caps: Measure the fixing plate and its fixings to determine the allowance required. Make 2 cuts with a handsaw. Repeat for the 2nd Cap section.



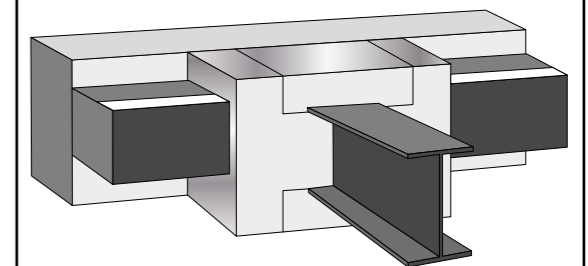
4 Apply SIDERISE BB-CB sections to the balcony bracket connector



5 Retain sections with supplied fixings. Apply 4 fixings per side



6 Apply SIDERISE FT 120/45 Jointing Tape to exposed top and bottom edges:



7 Tightly abut SIDERISE Cavity Barriers according to their installation instruction to either side.